



# NordicWay

## Cellular C-ITS Corridor

Cross border demonstrations



Co-financed by the European Union  
Connecting Europe Facility

# Purpose of demonstrations



- Demonstrate the functionality, interoperability and usefulness of the systems

# Slippery road in Sweden



- Message send from Volvo car via Volvo cloud to the interchange node
- From the interchange node messages goes to:
  - Scania cloud – Scania truck
  - Statens Vegvesen (Norwegian cloud)
  - Trafikverket (Swedish cloud)

# Slippery road in Sweden



Co-financed by the European Union  
Connecting Europe Facility

# Roadwork warning Sweden



- Message send from Kapsch TMA via ITS G5 to Scania truck
- Message send from Kapsch unit via Kapsch cloud to the interchange node
- From the interchange node messages goes to:
  - HERE cloud and from there to the HERE user
  - Scania cloud – Scania truck
  - Volvo cloud – Volvo car
  - Statens Vegvesen (Norwegian cloud)
  - Trafikverket (Swedish cloud)



# Roadwork warning Sweden



Co-financed by the European Union  
Connecting Europe Facility

# Roadwork warning Norway



- Message send from Norwegian equipment via Norwegian cloud to the interchange node
- From the interchange node messages goes to:
  - HERE cloud and from there to the HERE user
  - Scania cloud – Scania truck
  - Volvo cloud – Volvo car
  - Statens Vegvesen (Norwegian cloud)
  - Trafikverket (Swedish cloud)



# Roadwork warning Norway



Co-financed by the European Union  
Connecting Europe Facility



# Hazard light alert Norway and Sweden



- Messages send from Volvo car via Volvo cloud to interchange node
- From the interchange node messages goes to:
  - HERE cloud and from there to the HERE user
  - Scania cloud – Scania truck
  - Statens Vegvesen (Norwegian cloud)
  - Trafikverket (Swedish cloud)



# Hazard light alert Norway and Sweden



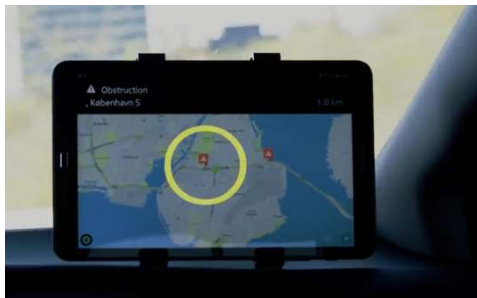
Co-financed by the European Union  
Connecting Europe Facility

# Obstruction in Denmark



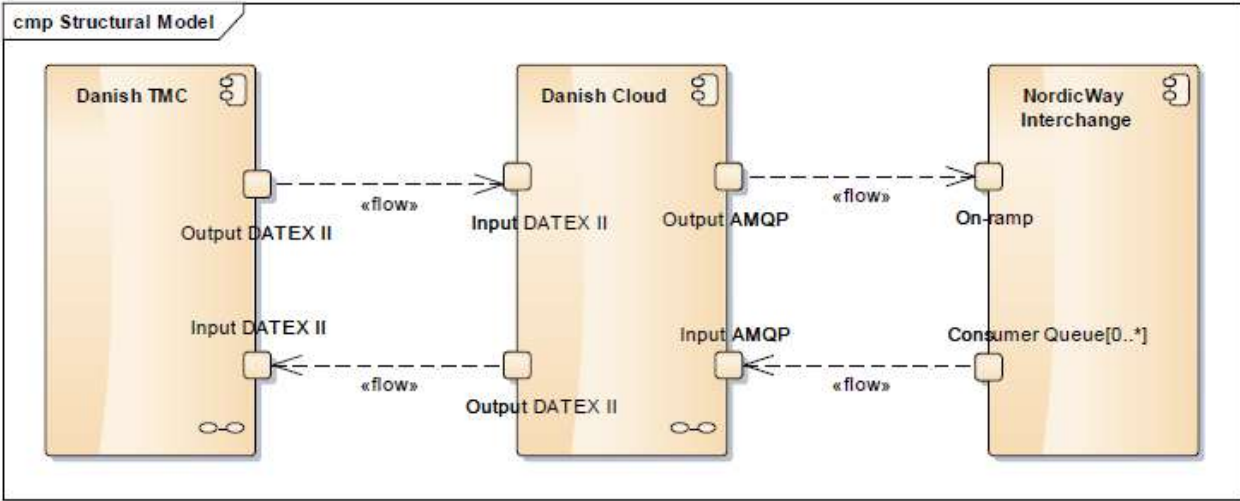
- Message send from Norwegian equipment via Norwegian cloud to the interchange node
- From the interchange node messages goes to:
  - HERE cloud and from there to the HERE user
  - The Danish TMC (Danish cloud)
  - Swedish TMC (Swedish cloud)

# Obstruction in Denmark

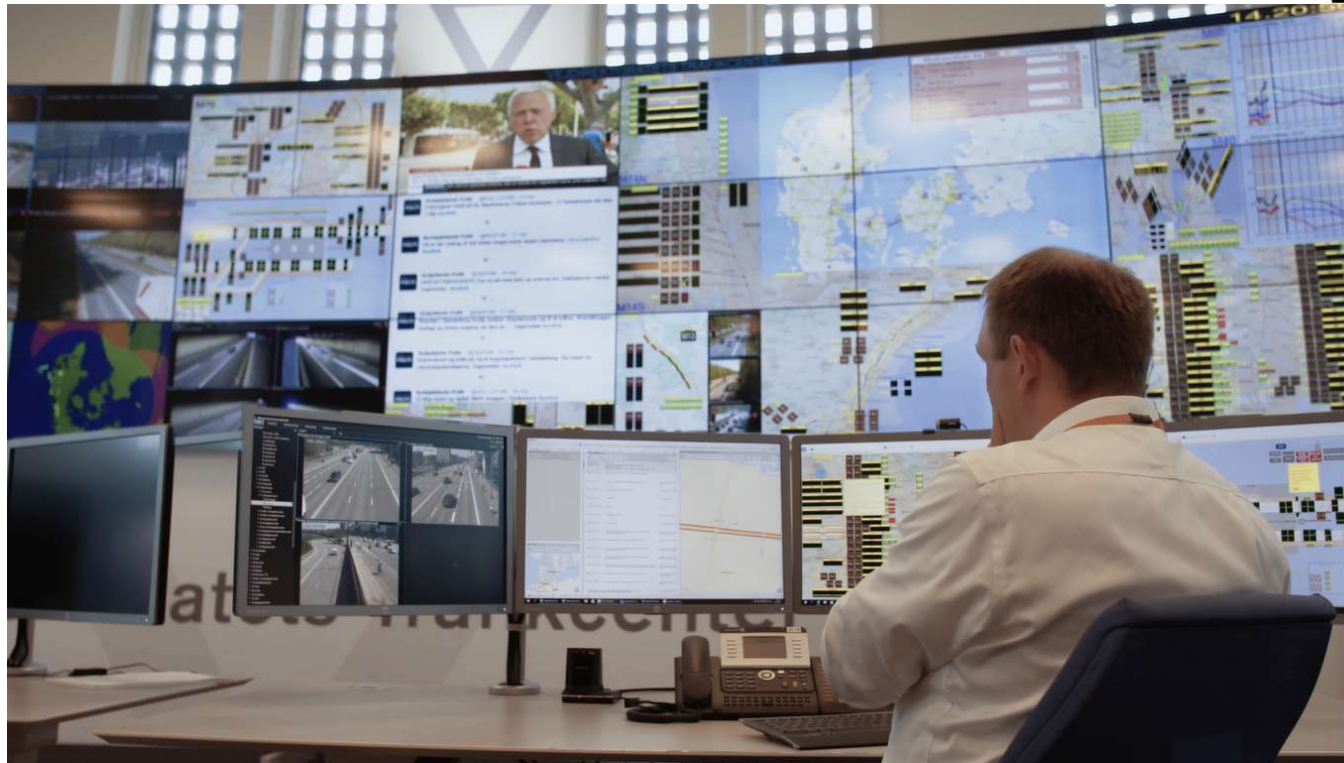


Co-financed by the European Union  
Connecting Europe Facility

# Traffic management Centers



Everybody connected ?  
Ok - Lunchbreak – see you at 13:40



Co-financed by the European Union  
Connecting Europe Facility